

Bullnose Plane

U.S. Pat. No. 7,117,602

The Veritas® Bullnose Plane, perfect for cleaning up machine-cut joints, will be one of the most useful hand joinery tools you'll ever own. Designed for maximum versatility, it performs as either a bullnose or chisel plane as required. Simply loosen the brass toe locking knob to remove the toe piece for chisel plane configuration and you can work right up to a blind corner. An adjustable set screw in the toe acts as a stop to accurately set the mouth opening. It also ensures that when switching between configurations the toe will be repositioned with the previously set mouth opening and ensures that you will never accidentally jam the nose against the blade edge. The bullnose plane measures 4³/₄" long by 1" wide and weighs just over 1¹/₄ pounds. The ductile cast iron body and toe are accurately machined and ground so that the sole and sides are flat and square, allowing the plane to be used on its side.

Shaped to fit comfortably in the hand, the low, broad lever cap meets the palm of your hand, and your forefinger rests in the toe pocket for exceptional control. The through-hole in the body adds to grip security. The plane's adjustable toe lets you narrow the mouth for very fine shavings with minimum tear-out. The low bed angle of 15° and the blade bevel of 25° result in a cutting angle of 40° for exceptional end-grain cutting performance. Set screws along the sides enable you to accurately position the blade and do not require adjustment when replacing the blade after sharpening. The 1/8" (0.125") thick lapped blade is available in A2, O1 or PM-V11® tool steel.

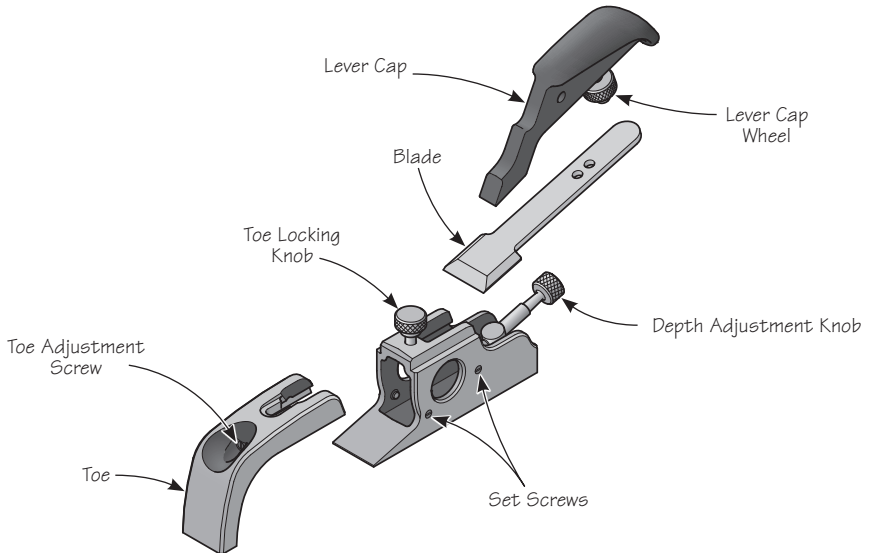


Figure 1: Bullnose plane components.

Positioning the Blade

The ideal blade position will be achieved when the cutting edge is parallel to the sole and the adjacent edge projects slightly from the body on the working side. This is most easily done with the four blade adjustment set screws (two on each side of the plane). Back off the lever cap wheel to free up the blade, and adjust the pair of set screws on the working side of the plane approximately flush with the body. With your finger, shift the blade over in that direction to seat the blade against the set screws. Since the blade will sit proud of the body on the working side, but much farther than required, adjust the two contacting set screws (on the working side) until desired blade position is attained (just proud of the side surface of the plane body). To finish, tighten the out-of-contact set screws until they touch the blade, then back them off 1/8 turn or less. (If the blade is in firm contact with all four set screws, depth of cut adjustment will be difficult or impossible.)

Note: As supplied, the blade is slightly wider than the body of the plane. You can position the blade relative to the working side as outlined above, or grind the sides of the blade down so that it aligns with the sides of the plane body.

Setting the Blade



Caution: Be aware that the blade is sharp; careless handling can result in serious injury.

To initially set the blade, open the mouth fully and place the plane on a flat wood surface (e.g., a scrap of stock). Lightly clamp the blade (bevel up) with the lever cap wheel and advance the blade until it just touches the wood.

Depth Adjustment

Flip the plane to a sole-up position, then sight along the sole to ensure the blade edge is parallel to the sole and advance or retract it as required. To a small degree, the depth of cut is also influenced by the amount of clamping force applied to the lever cap wheel. As you tighten the wheel, you increase the blade clamping force that, in turn, results in a slight deflection of the blade bed. This is normal and does not affect performance. A very light clamp force will deflect the blade bed 0.0005". A hard clamp force will deflect the blade bed by as much as 0.003". Extremely small adjustments to blade depth can be achieved by changing the blade clamping force. Clamp (1/8 turn should be ample – **do not overclamp**) and take a test cut on a **flat** scrap of wood. If the shaving is not of uniform thickness across its width, you will have to reshape your blade so that its cutting edge is parallel to the sole of the plane (which should also be exactly 90° to the blade side). To do this, first scribe a line behind the blade's edge, along the bed lip for reference, grind to this line, then hone for sharpness.

Before advancing the blade at any time, check the mouth opening to be sure you don't run the blade against the adjustable toe. It is a simple matter to close the mouth to the desired opening **after** you have reached the right blade projection. Better to dull the blade in use than when adjusting it.

Backlash and How To Avoid It

To eliminate the possibility of the blade shifting backward unpredictably as the backlash is taken up, the final setting should always be made with the blade being advanced by the clockwise movement of the thumbscrew. If you need to retract the blade slightly, retract it more than required, and finish by advancing it to its desired position. This takes up all the play in the forward direction, resisting the backward forces experienced by the blade.

Mouth Adjustment

The removable toe piece has a toe adjustment screw that enables you to easily and accurately set the mouth, the gap between the blade and the toe piece. This screw also acts as a stop to ensure that, when the toe piece is removed, it goes back to the previously set mouth opening when it is returned to the plane. Generally, you will want a mouth as small as will allow the shaving to escape. The reason for this is that a tight mouth supports the wood ahead of the blade, preventing tear-out, a shaving propagating below the surface of the workpiece.

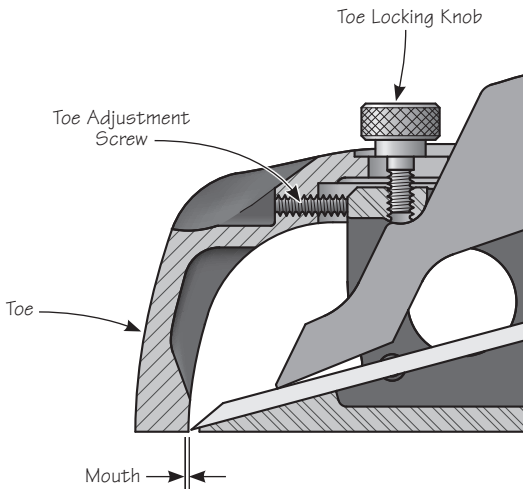


Figure 2: Mouth adjustment.

Loosen the brass toe locking knob and adjust the position of the toe by turning the toe adjustment screw to move the toe forward or backward as required. It is best to apply a slight push force to the toe adjustment screw when you are making adjustments to ensure the screw tip is forced against the plane body. Tighten the toe locking knob firmly, but avoid overtightening.

Toe Removal/Replacement

It is advisable to adjust the mouth opening with the toe adjustment screw prior to removing the toe (see *Mouth Adjustment*). Once set, loosen the toe locking knob and slide the toe away from the front of the plane. The plane is now configured as a chisel plane. To replace the toe piece, simply slide it forward onto the body and under the toe locking knob. Push it all the way onto the body until it stops. The toe will stop at the previously set mouth opening position. Tighten the toe locking knob firmly, but avoid overtightening.

Blade Sharpening

The bullnose plane has a bed angle of 15° and the blade comes finely ground at an angle of 25° . Since the blade is used bevel up, the effective cutting angle will be 40° .

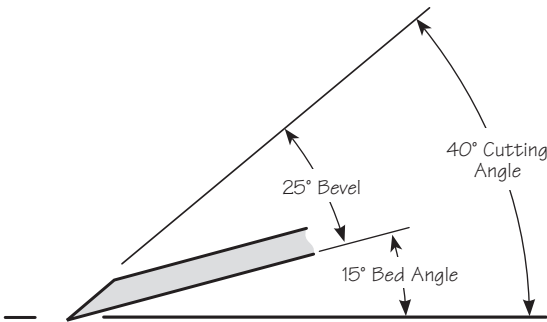


Figure 3: Blade geometry as supplied.

Additional honing will improve performance. The finely ground blade face can be readily lapped to a mirror finish. A secondary or micro-bevel can easily be added and makes for fast re-honing, without having to hone the entire primary bevel.

One final note of caution, because the blade in a bullnose plane is aligned with the side of the plane in addition to being parallel to the sole, the cutting edge must be kept perfectly square with the sides of the blade when sharpening it.

Care and Maintenance

The body of our Veritas bullnose plane is ductile cast iron and comes treated with a rust preventative. Remove this using a rag dampened with mineral spirits. Clean all machined surfaces, including the area under the nose and the toe itself.

We recommend that you initially, then periodically, apply a light coat of silicone-free paste wax to seal out moisture and prevent rusting (as well as act as a lubricant for smoother planing). Wipe off any wood dust from the surfaces that you will be waxing, apply a light wax coating, let dry, then buff with a clean soft cloth. At the same time, the solvents in the wax will remove any harmful oils left from your fingers that can lead to corrosion. This is especially important with planes that are gripped on the machined surfaces, such as bullnose planes.

If storage conditions are damp or humid, the plane should, in addition to the treatment outlined above, be wrapped in a cloth or stored in a plane sack. This precaution will also guard against dings and scratches.

Accessories

- 05P42.02** A2 Blade, 0.125" × 1"
- 05P42.52** O1 Blade, 0.125" × 1"
- 05P42.72** PM-V11[®] Blade, 0.125" × 1"